

# Guidelines of Implementation

**EDIFACT SUBSET**

**EDITEC**

**ORDRSP**



**ORDRSP**

**Version 4.0**

# Table of contents

---

Introduction	3
Instructions for usage	4
Message structure	5
Message structure diagram	7
Segment descriptions	11
Comprehensive example	62

# Introduction

---

This EDIFACT subset “Order Response” has been prepared by ITEK on behalf of the Arbeitsgemeinschaft Neue Medien der deutschen Sanitärindustrie e.V. and the Deutscher Großhandelsverband Haustechnik e.V.

ITEK  
Technologiepark 13  
33100 Paderborn

Phone no.: +49 52 51 16 14 –0  
Facsimile no.: +49 52 51 16 14 –99  
E-mail: editec@itekmbh.de

The EDIFACT subset is based on the EDIFACT syntax version 3 and the following public documents:

- EDIFACT – Standardized message type “ORDRSP”
- UN/EDIFACT Directory 96B, UN/ECE/TRADE/WP.4
- EDIFACT - Service Segments Application Guidelines, Draft DIN 16560 - Part 1, February 1994
- UN/EDIFACT code list D.97A

Paderborn, June 2015

# Instructions for usage

Maximal number of repetitions possible (the mandatory field always refers to the segment and not to the maximal rate of repetitions)

Nummer	Nr	Segment	St	MaxWdh.	Ebene	Name
0210		<b>SG5</b>	C	1	2	CTA-COM

Diese Segmentgruppe enthält das CTA-Segment zur Angabe eines Ansprechpartners.

0220	19	<b>CTA</b>	M	1	2	Kommunikationspartner
------	----	------------	---	---	---	-----------------------

Segment identifier      Segment status (M=Mandatory/C=Conditional)      Segment name

Data element identifier

3139			N			Wird im Subset nicht benutzt.
------	--	--	---	--	--	-------------------------------

This is a data element which is not used in the subset. Yet it is positioned either as a data element on data element group level or within a data element group between two data elements used in the subset. At the stage of the implementation, these data elements do not have to be taken into account.

Data element group identifier      Data element group name      Data element group status

C056	ABTEILUNGS- ODER BEARBEITERANGABEN		C			
3413			N			Wird im Subset nicht benutzt.

Data element identifier in a data element group      Data element name      Data element status

3412	Abteilung oder Bearbeiter		C	an..35		Name des Sachbearbeiters.
------	---------------------------	--	---	--------	--	---------------------------

Alphanumeric with a maximum length of 35 characters; at fixed length the dots “..” are omitted; also: a=alphabetic and n=numeric.

Details on the usage of particular elements in the subset

# Message structure

UNA	1	M	1	- Separator default
UNB	2	M	1	- User data head segment
UNH	3	M	1	- Message header
BGM	4	M	1	- Beginning of message
DTM	5	M	1	- Document date (here: Order Response date)
IMD	6	C	1	- Description of the message
FTX	7	C	1	- Additional text referring to the order response
FTX	8	C	1	- Notification text for the forwarder
SG1		C	1	- Supplier's transaction number
RFF	9	M	1	- Reference data
DTM	10	C	1	- Date of referenced document
SG1		C	1	- Object number
RFF	11	M	1	- Reference data
DTM	12	C	1	- Date of referenced document
SG1		C	1	- Object description (characters 1-30)
RFF	13	M	1	- Reference data
SG1		C	1	- Object description (characters 31-60)
RFF	14	M	1	- Reference data
SG1		C	1	- Wholesaler's order number
RFF	15	M	1	- Reference data
DTM	16	M	1	- Date of referenced document
SG3		C	1	- Supplier
NAD	17	M	1	- Name and address
SG4		C	1	- RFF
RFF	18	M	1	- Reference data
SG6		C	1	- CTA-COM
CTA	19	M	1	- Communication partner
COM	20	C	3	- Communication link
SG3		C	1	- Wholesaler
NAD	21	M	1	- Name and address
SG6		C	1	- CTA-COM
CTA	22	M	1	- Communication partner
COM	23	C	3	- Communication link
SG3		C	1	- Shipping address
NAD	24	M	1	- Name and address
SG6		C	1	- CTA-COM
CTA	25	M	1	- Communication partner
COM	26	C	3	- Communication link
SG3		C	1	- Consignee
NAD	27	M	1	- Name and address
SG6		C	1	- CTA-COM
CTA	28	M	1	- Communication partner
COM	29	C	3	- Communication link
SG8		C	1	- CUX
CUX	30	M	1	- Currency data
SG19		C	2	- ALC-SG21-SG22
ALC	31	M	1	- Allowances and charges
SG21		C	1	- PCD
PCD	32	M	1	- Percentages
SG22		C	1	- MOA
MOA	33	M	1	- Amount
SG26		C	9999	- LIN-IMD-IMD-QTY-DTM-SG30-SG31-SG41-SG41-SG51

St = Status

EDIFACT: M=Mandatory, C=Conditional

Application: R=Required, O=Optional, D=Dependent, A=Advised, N=Not used, X=Not used

# Message structure

---

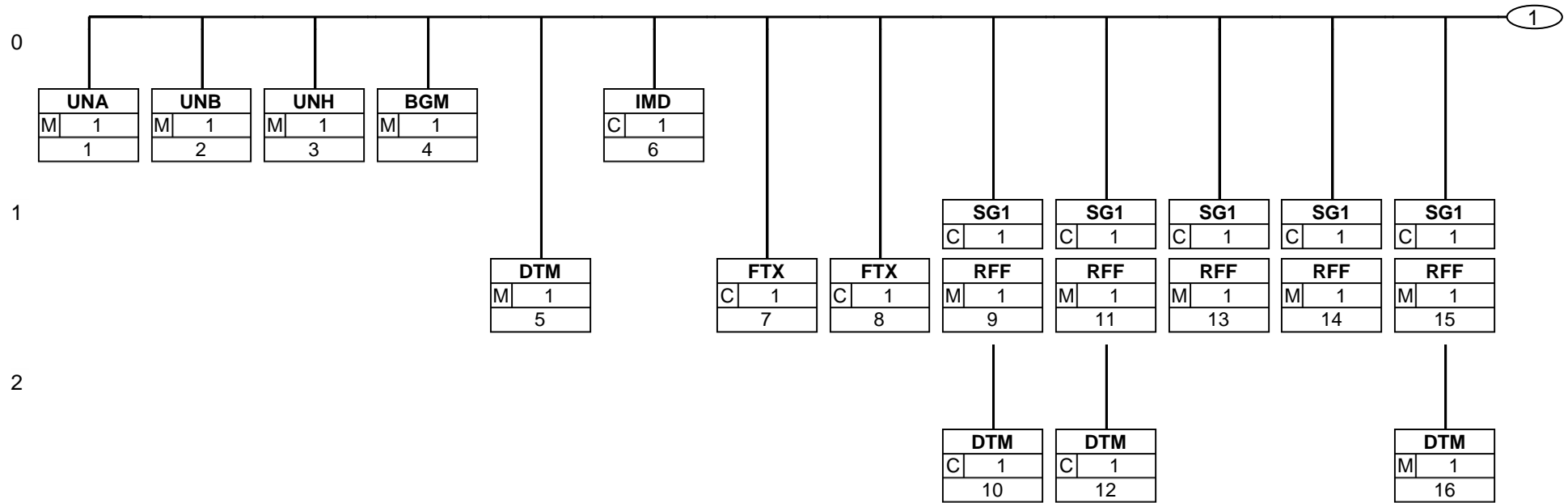
LIN	34	M	1	- Line item data
IMD	35	C	2	- Article specification
IMD	36	C	8	- Additional text referring to the line item
QTY	37	C	1	- Quantity
DTM	38	C	3	- Date/time/period data
SG30		C	2	- PRI
PRI	39	M	1	- Price information
SG31		M	1	- Wholesaler's order number
RFF	40	M	1	- Reference data
SG41		C	1	- Multiplier
ALC	41	M	1	- Allowances and charges
SG43		C	1	- PCD
PCD	42	M	1	- Percentages
SG41		C	98	- Bilateral agreement
ALC	43	M	1	- Allowances and charges
SG43		C	1	- PCD
PCD	44	M	1	- Percentages
SG44		C	1	- MOA
MOA	45	M	1	- Amount
SG51		C	1	- SCC-SG52
SCC	46	M	1	- Schedule conditions
SG52		M	10	- QTY-DTM
QTY	47	M	1	- Quantity
DTM	48	M	1	- Date/time/period data
UNS	49	M	1	- Section control segment
UNT	50	M	1	- Message end segment
UNZ	51	M	1	- User data end segment

St = Status

EDIFACT: M=Mandatory, C=Conditional

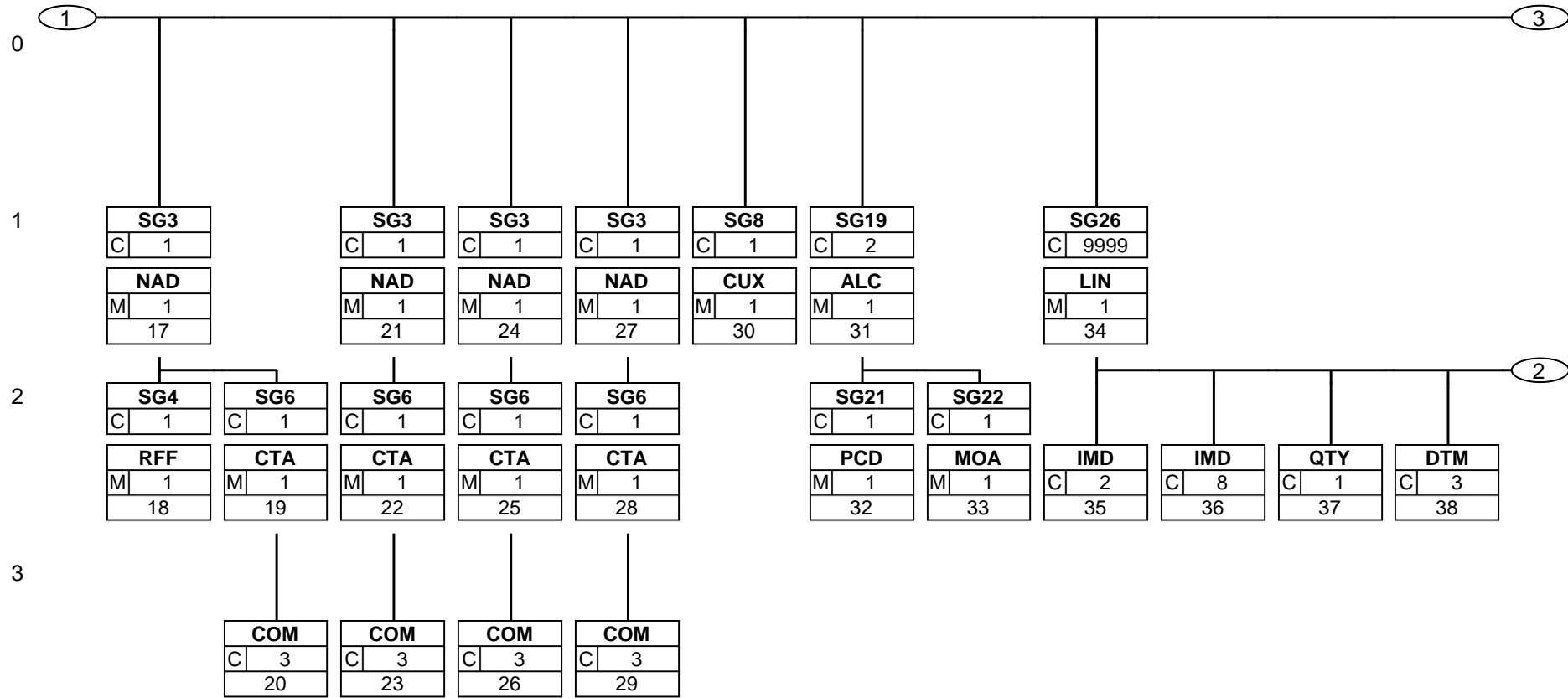
Application: R=Required, O=Optional, D=Dependent, A=Advised, N=Not used, X=Not used

# Message structure diagram



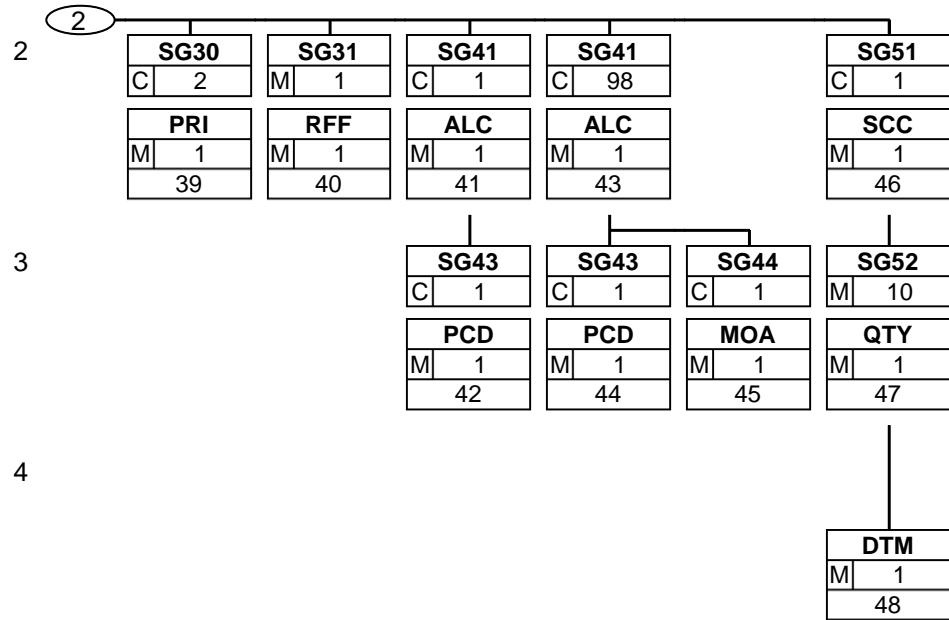
Status: M=Mandatory, C=Conditional, R=Required, O=Optional, D=Dependent, A=Advised, N=Not used, X=Not used

# Message structure diagram



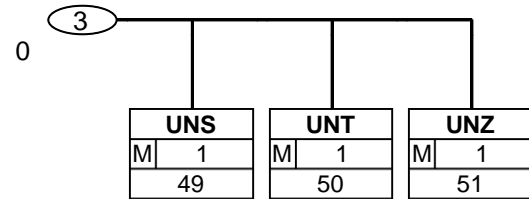
Status: M=Mandatory, C=Conditional, R=Required, O=Optional, D=Dependent, A=Advised, N=Not used, X=Not used

# Message structure diagram



# Message structure diagram

---



# Segment descriptions

Number	No	Segment	St	Max rep.	Level	Name
--------	----	---------	----	----------	-------	------

0000	1	<b>UNA</b>	M	1	0	Separator default
------	---	------------	---	---	---	-------------------

Tag	Name	St	Format	Use/annotations
UNA				
UNA1	: separator	M	an1	Separates data elements in a data element group <b>: constant</b>
UNA2	+ separator	M	an1	Separates segment designations, data element groups und data elements <b>+ constant</b>
UNA3	, decimal marker (comma)	M	an1	<b>, constant</b>
UNA4	? release indicator	M	an1	Restores the original meaning of the mark that follows the release indicator. <b>? constant</b>
UNA5	blank space	M	an1	Reserved for later applications
UNA6	' segment terminator	M	an1	<b>' constant</b>

**Description:** In the UNA segment, separators, decimal marks, and release indicators are predefined. These marks are defined only once and apply to the following messages until they are revoked. Consequently, they will not be transferred furthermore.

**Example:** UNA:+, ? ' '

# Segment descriptions

Number	No	Segment	St	Max rep.	Level	Name
0000	2	<b>UNB</b>	M	1	0	User data head segment

Tag	Name	St	Format	Use/annotations
UNB				
S001	SYNTAX DESIGNATOR	M		
0001	Syntax identification	M	a4	Constant value: <b>UNOC EDIFACT syntax character set C</b>
0002	Syntax version number	M	n1	Constant value: <b>3 EDIFACT syntax version 3</b>
S002	SENDER OF THE INTERCHANGE FILE	M		
0004	Sender designation	M	an..35	Identifier of the sender (e. g. identification number in the Telebox400)
0007	Participant designation, qualifier	M	an..4	This data element serves for the definite specification of the participants. The following codes are available: <b>65 sender Telebox400 user</b> <b>ZZZ sender (other network operators)</b> <b>14 sender GLN</b> <b>SHK SHK mail</b>
S003	RECIPIENT OF THE INTERCHANGE FILE	M		
0010	Recipient designation	M	an..35	Identifier of the recipient (e. g. identification number in the Telebox400)
0007	Participant designation, qualifier	M	an..4	This data element serves for the definite specification of the participants. The following codes are available: <b>65 recipient Telebox400 user</b> <b>ZZZ recipient (other network operators)</b> <b>14 recipient GLN</b> <b>SHK SHK mail</b>
S004	DATE/TIME OF CREATION	M		
0017	Date of creation	M	n6	Date of the creation of the message on the side of the sender in YYMMDD format (this format is prescribed by the EDIFACT application guideline for service segments).
0019	Time of creation	M	n4	Format: HHMM
0020	DATA EXCHANGE REFERENCE	M	an..14	Number for each communication address (X.400, Provider, ...) and message type, rising in ascending order. The data exchange reference number serves as a plausibility test for the identification of double transfers and failed transfers. This task is being fulfilled by the converter.
S005		N		
0022		N		Not used in the subset.
0026		N		Not used in the subset.
0029		N		Not used in the subset.
0031		N		Not used in the subset.
0032		N		Not used in the subset.
0035	Test indicator	C	n1	Test indicator

**Description:** In the UNB segment, specifications re syntax, sender/recipient of the transfer file, the date and time of its creation, and a data transfer reference are transferred.

**Example:** UNB+UNOC:3+4012345000009:14+4012345000010:14+131010:1136+1+++++1'

# Segment descriptions

Number	No	Segment	St	Max rep.	Level	Name
0010	3	<b>UNH</b>	M	1	0	Message header

Tag	Name	St	Format	Use/annotations
UNH				
0062	MESSAGE REFERENCE NUMBER	M	an..14	In each transfer file, every message is consistently numbered in ascending order, beginning with "1". This task is being fulfilled by the converter.
S009	MESSAGE IDENTIFICATION	M		
0065	Message type identification	M	an..6	Constant value: <b>ORDRSP Order Response</b>
0052	Version number of the message type	M	an..3	Constant value: <b>D Draft version/UN/EDIFACT Directory</b>
0054	Release number of the message type	M	an..3	Constant value: <b>96B UN/EDIFACT Draft Directory D.96B</b> <b>UN United Nations UNECE/TRADE/WP.4</b>
0051	Administrative organization, coded	M	an..2	
0057	Application code of the competent organization	M	an..6	Constant value: <b>ITEK40 Version 4.0</b>

**Description:** In the UNH segment, a message within a transfer file is identified unambiguously. The EDITEC subset "Order Response" is based on the message type "ORDRSP".

**Example:** UNH+1+ORDRSP:D:96B:UN:ITEK40'



# Segment descriptions

Number	No	Segment	St	Max rep.	Level	Name
0030	5	<b>DTM</b>	M	1	1	Document date (Here: Order Response date)

Tag	Name	St Format	Use/annotations
DTM			
C507	DATE/TIME/PERIOD DATA	M	
2005	Date/time/period data, qualifier	M an..3	The following codes are available: <b>137 document/message date</b>
2380	Date/time/period data	M an..35	Date, formatted as defined in data element 2379
2379	Date/time/period data, format, qualifier	M an..3	The following codes are available: <b>102 YYYYMMDD</b>

**Description:** In the DTM segment the document date is transferred.

**Example:** DTM+137:20141015:102 '

# Segment descriptions

Number	No	Segment	St	Max rep.	Level	Name
0060	6	<b>IMD</b>	C	1	0	Description of the message

Tag	Name	St Format	Use/annotations
IMD			
7077		N	Not used in the subset.
7081		N	Not used in the subset.
C273	DESCRIPTION OF THE MESSAGE	M	
7009	Description of the line item	M an..17	The following codes are available: <b>EL express delivery (priority treatment, fastest despatch type sequence possible)</b> <b>VL full delivery (complete delivery)</b> <b>EV express delivery &amp; full delivery</b>

**Description:** In the IMD segment, an order can be transferred marked as express- and/or full delivery.

**Implementation note:** EL express delivery  
 Orders marked EL will not be despatched by the supplier with the next tour or warehouse delivery, but picked and packed immediately and despatched using the fastest despatch type sequence possible.

VL full delivery  
 The order will not be despatched by the supplier before all order items can be delivered in full quantity.

EV express delivery & full delivery  
 Here a combination of express delivery and full delivery applies.

**Example:** IMD+++EL'

# Segment descriptions

Number	No	Segment	St	Max rep.	Level	Name
0070	7	<b>FTX</b>	C	1	1	Additional text referring to the order response

Tag	Name	St	Format	Use/annotations
FTX				
4451	TEXT, QUALIFIER	M	an..3	The following codes are available: <b>ORI Additional text referring to the order response</b>
4453		N		Not used in the subset.
C107		N		
4441		N		Not used in the subset.
C108	FREE TEXT	M		
4440	Free text	M	an..70	
4440	Free text	C	an..70	
4440	Free text	C	an..70	
4440	Free text	C	an..70	
4440	Free text	C	an..70	

**Description:** In the FTX segment, an additional text referring to the order response can be transferred. This is a free text.

**Example:** FTX+ORI+++Here the ORI:text is entered:as free text.:Any text can:be written here'

# Segment descriptions

Number	No	Segment	St	Max rep.	Level	Name
0070	8	<b>FTX</b>	C	1	1	Notification text for the forwarder

Tag	Name	St	Format	Use/annotations
FTX				
4451	TEXT, QUALIFIER	M	an..3	The following codes are available: <b>DIN Notification text for the forwarder</b>
4453		N		Not used in the subset.
C107		N		
4441		N		Not used in the subset.
C108	FREE TEXT	M		
4440	Free text	M	an..70	
4440	Free text	C	an..70	
4440	Free text	C	an..70	
4440	Free text	C	an..70	
4440	Free text	C	an..70	

**Description:** In the FTX segment, a notification text for the forwarder can be transferred. This is a free text.

**Example:** FTX+DIN+++Enter a:notification text here:This is:a:free text'

# Segment descriptions

Number	No	Segment	St	Max rep.	Level	Name
0080		<b>SG1</b>	C	1	1	<b>Supplier's transaction number</b>
This segment group contains the RFF segment and serves the referencing of documents and transactions that the order response refers to.						
0090	9	<b>RFF</b>	M	1	1	<b>Reference data</b>

Tag	Name	St	Format	Use/annotations
RFF				
C506	REFERENCE DATA		M	
1153	Reference, qualifier		M an..3	The following reference data can be transferred: <b>ACE supplier's transaction/object/project/ blanket purchase order number</b>
1154	Reference number		M an..35	Reference number referring to the qualifier selected in data element 1153

**Description:** In the RFF segment, numbers regarding documents and transactions that the order response refers to are transferred.

**Example:** RFF+ACE:1'

# Segment descriptions

Number	No	Segment	St	Max rep.	Level	Name
0080		<b>SG1</b>	C	1	1	<b>Supplier's transaction number</b>
This segment group contains the RFF segment and serves the referencing of documents and transactions that the order response refers to.						
0100	10	<b>DTM</b>	C	1	2	<b>Date of referenced document</b>

Tag	Name	St	Format	Use/annotations
DTM				
C507	DATE/TIME/PERIOD DATA	M		
2005	Date/time/period data, qualifier	M	an..3	The following codes are available: <b>171 Reference date</b>
2380	Date/time/period data	M	an..35	Date, formatted as defined in data element 2379.
2379	Date/time/period data, format, qualifier	M	an..3	The following codes are available: <b>102 YYYYMMDD</b>

**Description:** In the DTM segment, the date of the referenced document is transferred.

**Example:** DTM+171:20151015:102'

# Segment descriptions

Number	No	Segment	St	Max rep.	Level	Name
0080		<b>SG1</b>	C	1	1	<b>Object number</b>
This segment group contains the RFF segment and serves the referencing of documents and transactions that the order response refers to.						
0090	11	<b>RFF</b>	M	1	1	<b>Reference data</b>

Tag	Name	St	Format	Use/annotations
RFF				
C506	REFERENCE DATA		M	
1153	Reference, qualifier		M an..3	The following reference data can be transferred: <b>AEP Object number wholesale/trade</b>
1154	Reference number		M an..35	Reference number referring to the qualifier selected in data element 1153.

**Description:** In the RFF segment, numbers regarding documents and transactions that the order response refers to are transferred.

**Example:** RFF+AEP:1'

# Segment descriptions

Number	No	Segment	St	Max rep.	Level	Name
0080		<b>SG1</b>	C	1	1	<b>Object number</b>
This segment group contains the DTM segment and serves the referencing of documents and transactions that the order response refers to.						
0100	12	<b>DTM</b>	C	1	2	<b>Date of referenced document</b>

Tag	Name	St	Format	Use/annotations
DTM				
C507	DATE/TIME/PERIOD DATA		M	
2005	Date/time/period data, qualifier		M an..3	The following codes are available: <b>171 Reference date</b>
2380	Date/time/period data		M an..35	Date, formatted as defined in data element 2379.
2379	Date/time/period data, format, qualifier		M an..3	The following codes are available: <b>102 YYYYMMDD</b>

**Description:** In the DTM segment, the date of the referenced document is transferred.

**Example:** DTM+171:20150913:102'

# Segment descriptions

Number	No	Segment	St	Max rep.	Level	Name
0080		<b>SG1</b>	C	1	1	<b>Object description (characters 1-30)</b> This segment group contains the RFF segment and serves the referencing of documents and transactions that the order response refers to.
0090	13	<b>RFF</b>	M	1	1	<b>Reference data</b>

Tag	Name	St	Format	Use/annotations
RFF				
C506	REFERENCE DATA	M		
1153	Reference, qualifier	M	an..3	The following reference data can be transferred: <b>AFO Object description (characters 1-30)</b>
1154	Reference number	C	an..35	Reference number referring to the qualifier selected in data element 1153.

- Description:** In the RFF segment, numbers regarding documents and transactions that the order response refers to are transferred.
- Implementation note:** This is the first part of the 60-character object description. The remaining characters are transferred in the following RFF segment.
- Example:** RFF+AFO:Object description example text'

# Segment descriptions

Number	No	Segment	St	Max rep.	Level	Name
0080		<b>SG1</b>	C	1	1	<b>Object description (characters 31-60)</b> This segment group contains the RFF segment and serves the referencing of documents and transactions that the order response refers to.
0090	14	<b>RFF</b>	M	1	1	<b>Reference data</b>

Tag	Name	St	Format	Use/annotations
RFF				
C506	REFERENCE DATA	M		
1153	Reference, qualifier	M	an..3	The following reference data can be transferred: <b>AFP Object description (characters 31-60)</b>
1154	Reference number	C	an..35	Reference number referring to the qualifier selected in data element 1153.

- Description:** In the RFF segment, numbers regarding documents and transactions that the order response refers to are transferred.
- Implementation note:** Here the second part of the 60-character object description is transferred.
- Example:** RFF+AFP:More space for object description'

# Segment descriptions

Number	No	Segment	St	Max rep.	Level	Name
0080		<b>SG1</b>	C	1	1	<b>Wholesaler's order number</b>
This segment group contains the RFF segment and serves the referencing of documents and transactions that the order response refers to.						
0090	15	<b>RFF</b>	M	1	1	<b>Reference data</b>

Tag	Name	St	Format	Use/annotations
RFF				
C506	REFERENCE DATA		M	
1153	Reference, qualifier		M an..3	The following reference data can be transferred: <b>ON Wholesaler's order number – has to be transferred</b>
1154	Reference number		M an..35	Reference number referring to the qualifier selected in data element 1153.

**Description:** In the RFF segment, numbers regarding documents and transactions that the order response refers to are transferred.

**Example:** RFF+ON:1'

# Segment descriptions

Number	No	Segment	St	Max rep.	Level	Name
0080		<b>SG1</b>	C	1	1	<b>Wholesaler's order number</b>
This segment group contains the DTM segment and serves the referencing of documents and transactions that the order response refers to.						
0100	16	<b>DTM</b>	M	1	2	<b>Date of referenced document</b>

Tag	Name	St	Format	Use/annotations
DTM				
C507	DATE/TIME/PERIOD DATA	M		
2005	Date/time/period data, qualifier	M	an..3	The following codes are available: <b>171 Reference date</b>
2380	Date/time/period data	C	an..35	Date, formatted as defined in data element 2379.
2379	Date/time/period data, format, qualifier	C	an..3	The following codes are available: <b>102 YYYYMMDD</b>

**Description:** In the DTM segment, the date of the referenced document is transferred.

**Example:** DTM+171:20151013:102'

# Segment descriptions

Number	No	Segment	St	Max rep.	Level	Name
0140		<b>SG3</b>	C	1	1	<b>Supplier</b>
This segment group encompasses the NAD segment and segment group 6 und serves for the indication of the partners and places.						
0150	17	<b>NAD</b>	M	1	1	<b>Name and address</b>

Tag	Name	St	Format	Use/annotations
NAD				
3035	PARTNER, QUALIFIER	M	an..3	The following codes are available: <b>SU supplier (industry)</b>
C082	IDENTIFICATION OF THE PARTNER	M		
3039	Partner identification number, coded	M	an..35	In relation to the qualifier stated above, the identification number of the partner will be provided here.
1131		N		Not used in the subset.
3055	Administrative organization, coded	M	an..3	The following codes are available: <b>9 GLN (GS1 as the German issuer of the GLN numbers)</b> <b>ZZZ bilaterally agreed upon (customer- and supplier numbers)</b>
C058		N		
3124		N		Not used in the subset.
C080	NAME OF THE PARTNER	C		
3036	Name 1 of the partner	M	an..35	Name 1 of the partner.
3036	Name 2 of the partner	C	an..35	Name 2 of the partner.
3036	Name 3 of the partner	C	an..35	Name 3 of the partner.
C059	STREET	C		
3042	Street and house number	M	an..35	Building name/number and street name
3164	PLACE	C	an..35	
3229		N		Not used in the subset.
3251	POSTAL CODE/ZIP CODE	C	an..9	
3207	COUNTRY, CODED	C	an..3	The most important country codes according to ISO 3166 (the postal codes have to be given on the delivery note papers): <b>BE Belgium</b> <b>BG Bulgaria</b> <b>DK Denmark</b> <b>DE Germany</b> <b>FI Finland</b> <b>FR France</b> <b>GR Greece</b> <b>GB Great Britain</b> <b>IE Ireland</b> <b>IT Italy</b> <b>CA Canada</b> <b>LU Luxembourg</b> <b>NL Netherlands</b> <b>NO Norway</b> <b>AT Austria</b> <b>PT Portugal</b> <b>SE Sweden</b> <b>CH Switzerland</b> <b>ES Spain</b> <b>TR Turkey</b> <b>US USA</b>

**Description:** In the NAD segment, data for the identification of the parties involved as well as important address details are transferred.

**Implementation note:** At least one of the following parameters has to be provided with an indication: identification of the partners (C082) or name of the partners (C080).  
Otherwise an unambiguous identification will not be possible.

**Example:** NAD+SU+4012345000009::9++Joe:John:Sample+Any Street 16+Any City++12345+DE'

# Segment descriptions

Number	No	Segment	St	Max rep.	Level	Name
0180		<b>SG4</b>	C	1	2	<b>RFF</b>
This segment group contains the RFF segment that indicates the WEEE (Waste Electrical and Electronic Equipment) registration number referring to the partner given in the NAD segment.						
0190	18	<b>RFF</b>	M	1	2	<b>Reference data</b>

Tag	Name	St	Format	Use/annotations
RFF				
C506	REFERENCE DATA	M		
1153	Reference, qualifier	M	an..3	Constant value: <b>XA Company-/place registration number (as required by law)</b>
1154	Reference number	M	an..35	WEEE registration number

**Description:** This segment is used for transferring the WEEE registration number (Waste Electrical and Electronic Equipment). Transmitting the WEEE registration number has been compulsory since 24 Nov 2005.

**Example:** RFF+XA:1'

# Segment descriptions

Number	No	Segment	St	Max rep.	Level	Name
0240		<b>SG6</b>	C	1	2	<b>CTA-COM</b>
This segment group contains the CTA segment for the indication of the contact person and the COM segment for the indication of the communication link with the contact person.						
0250	19	<b>CTA</b>	M	1	2	<b>Communication partner</b>

Tag	Name	St	Format	Use/annotations
CTA				
3139		N		Not used in the subset.
C056	DEPARTMENT OR EMPLOYEE DETAILS	M		
3413		N		Not used in the subset.
3412	Department or person responsible	M	an..35	Name of the person responsible for the transaction

**Description:** In the CTA segment, the name of the person responsible for the transaction at hand, both at the sender's and the recipient's, can be transferred.

**Example:** CTA++:Joe Sample'

# Segment descriptions

Number	No	Segment	St	Max rep.	Level	Name
0240		<b>SG6</b>	C	1	2	<b>CTA-COM</b>
This segment group contains the CTA segment for the indication of the contact person and the COM segment for the indication of the communication link with the contact person.						
0260	20	<b>COM</b>	C	3	3	<b>Communication link</b>

Tag	Name	St	Format	Use/annotations
COM				
C076	COMMUNICATION LINK	M		
3148	Communication number	M	an..512	
3155	Communication channel/service, qualifier	M	an..3	The following codes are available: <b>EM E-Mail</b> <b>FX Facsimile</b> <b>TE Telephone</b>

**Description:** A segment for the indication of the communication number and -type of the person responsible or department referred to in the CTA segment.

**Example:** COM+joe\_sample@e\_mail.de:EM'

# Segment descriptions

Number	No	Segment	St	Max rep.	Level	Name
0140		<b>SG3</b>	C	1	1	<b>Wholesaler</b>
This segment group encompasses the NAD segment and segment group 6 und serves for the indication of the partners and places.						
0150	21	<b>NAD</b>	M	1	1	<b>Name and address</b>

Tag	Name	St	Format	Use/annotations
NAD				
3035	PARTNER, QUALIFIER	M	an..3	The following codes are available: <b>WS Wholesaler</b>
C082	IDENTIFICATION OF THE PARTNER	M		
3039	Partner identification number, coded	M	an..35	In relation to the qualifier stated above, the identification number of the partner will be provided here.
1131		N		Not used in the subset.
3055	Administrative organization, coded	M	an..3	The following codes are available: <b>9 GLN (GS1 as the German issuer of the GLN numbers)</b> <b>ZZZ bilaterally agreed upon (customer- and supplier numbers)</b>
C058		N		
3124		N		Not used in the subset.
C080	NAME OF THE PARTNER	C		
3036	Name 1 of the partner	M	an..35	Name 1 of the partner.
3036	Name 2 of the partner	C	an..35	Name 2 of the partner.
3036	Name 3 of the partner	C	an..35	Name 3 of the partner.
C059	STREET	C		
3042	Street and house number	M	an..35	
3164	PLACE	C	an..35	
3229		N		Not used in the subset.
3251	POSTAL CODE/ZIP CODE	C	an..9	
3207	COUNTRY, CODED	C	an..3	The most important country codes according to ISO 3166 (the postal codes have to be given on the delivery note papers): <b>BE Belgium</b> <b>BG Bulgaria</b> <b>DK Denmark</b> <b>DE Germany</b> <b>FI Finland</b> <b>FR France</b> <b>GR Greece</b> <b>GB Great Britain</b> <b>IE Ireland</b> <b>IT Italy</b> <b>CA Canada</b> <b>LU Luxembourg</b> <b>NL Netherlands</b> <b>NO Norway</b> <b>AT Austria</b> <b>PT Portugal</b> <b>SE Sweden</b> <b>CH Switzerland</b> <b>ES Spain</b> <b>TR Turkey</b> <b>US USA</b>

**Description:** In the NAD segment, data for the identification of the parties involved as well as important address details are transferred.

**Implementation note:** At least one of the following parameters has to be provided with an indication: identification of the partners (C082) or name of the partners (C080). Otherwise an unambiguous identification will not be possible.

**Example:** NAD+WS+401234500009::9++Joe:John:Sample+Any Street 16+Any City++12345+DE'

# Segment descriptions

Number	No	Segment	St	Max rep.	Level	Name
0240		<b>SG6</b>	C	1	2	<b>CTA-COM</b>
This segment group contains the CTA segment for the indication of the contact person and the COM segment for the indication of the communication link.						
0250	22	<b>CTA</b>	M	1	2	<b>Communication partner</b>

Tag	Name	St	Format	Use/annotations
CTA				
3139		N		Not used in the subset.
C056	DEPARTMENT OR EMPLOYEE DETAILS	M		
3413		N		Not used in the subset.
3412	Department or person responsible	M	an..35	Name of the person responsible for the transaction

**Description:** In the CTA segment, the name of the person responsible for the transaction at hand, both at the sender's and the recipient's, can be transferred.

**Example:** CTA++:Joe Sample'

# Segment descriptions

Number	No	Segment	St	Max rep.	Level	Name
0240		<b>SG6</b>	C	1	2	<b>CTA-COM</b>
This segment group contains the CTA segment for the indication of the contact person and the COM segment for the indication of the communication link.						
0260	23	<b>COM</b>	C	3	3	<b>Communication link</b>

Tag	Name	St	Format	Use/annotations
COM				
C076	COMMUNICATION LINK		M	
3148	Communication number		M an..512	
3155	Communication channel/service, qualifier		M an..3	The following codes are available: <b>EM E-Mail</b> <b>FX Facsimile</b> <b>TE Telephone</b>

**Description:** A segment for the indication of the communication number and -type of the person responsible or department referred to in the CTA segment.

**Example:** COM+joe\_sample@e\_mail.de:EM'

# Segment descriptions

Number	No	Segment	St	Max rep.	Level	Name
0140		<b>SG3</b>	C	1	1	<b>Shipping address</b>
This segment group encompasses the NAD segment and segment group 6 und serves for the indication of the partners and places.						
0150	24	<b>NAD</b>	M	1	1	<b>Name and address</b>

Tag	Name	St	Format	Use/annotations
NAD				
3035	PARTNER, QUALIFIER	M	an..3	The following codes are available: <b>ST third-party delivery</b>
C082	IDENTIFICATION OF THE PARTNER	C		
3039	Partner identification number, coded	M	an..35	In relation to the qualifier stated above, the identification number of the partner will be provided here.
1131		N		Not used in the subset.
3055	Administrative organization, coded	M	an..3	The following codes are available: <b>9 GLN (GS1 as the German issuer of the GLN numbers)</b> <b>ZZZ bilaterally agreed upon (customer- and supplier numbers)</b>
C058		N		
3124		N		Not used in the subset.
C080	NAME OF THE PARTNER	M		
3036	Name 1 of the partner	M	an..35	Name 1 of the partner.
3036	Name 2 of the partner	C	an..35	Name 2 of the partner.
3036	Name 3 of the partner	C	an..35	Name 3 of the partner.
C059	STREET	M		
3042	Street and house number	M	an..35	Building name/number and street name
3164	PLACE	M	an..35	
3229		N		Not used in the subset.
3251	POSTAL CODE/ZIP CODE	M	an..9	
3207	COUNTRY, CODED	M	an..3	The most important country codes according to ISO 3166 (the postal codes have to be given on the delivery note papers): <b>BE Belgium</b> <b>BG Bulgaria</b> <b>DK Denmark</b> <b>DE Germany</b> <b>FI Finland</b> <b>FR France</b> <b>GR Greece</b> <b>GB Great Britain</b> <b>IE Ireland</b> <b>IT Italy</b> <b>CA Canada</b> <b>LU Luxembourg</b> <b>NL Netherlands</b> <b>NO Norway</b> <b>AT Austria</b> <b>PT Portugal</b> <b>SE Sweden</b> <b>CH Switzerland</b> <b>ES Spain</b> <b>TR Turkey</b> <b>US USA</b>

**Description:** In the NAD segment, data for the identification of the parties involved as well as important address details are transferred.

**Implementation note:** Here the partner's name and address have to be given.

**Example:** NAD+ST+4012345000009::9++Joe:John:Sample+Any Street 16+Any City++12345+DE'

# Segment descriptions

Number	No	Segment	St	Max rep.	Level	Name
--------	----	---------	----	----------	-------	------

0240		<b>SG6</b>	C	1	2	<b>CTA-COM</b>
------	--	------------	---	---	---	----------------

This segment group contains the CTA segment for the indication of the contact person and the COM segment for the indication of the communication link.

0250	25	<b>CTA</b>	M	1	2	<b>Communication partner</b>
------	----	------------	---	---	---	------------------------------

Tag	Name	St	Format	Use/annotations
CTA				
3139		N		Not used in the subset.
C056	DEPARTMENT OR EMPLOYEE DETAILS	M		
3413		N		Not used in the subset.
3412	Department or person responsible	M	an..35	Name of the person responsible for the transaction

**Description:** In the CTA segment, the name of the person responsible for the transaction at hand, both at the sender's and the recipient's, can be transferred.

**Example:** CTA++:Joe Sample'

# Segment descriptions

Number	No	Segment	St	Max rep.	Level	Name
0240		<b>SG6</b>	C	1	2	<b>CTA-COM</b>
This segment group contains the CTA segment for the indication of the contact person and the COM segment for the indication of the communication link.						
0260	26	<b>COM</b>	C	3	3	<b>Communication link</b>

Tag	Name	St	Format	Use/annotations
COM				
C076	COMMUNICATION LINK		M	
3148	Communication number		M an..512	
3155	Communication channel/service, qualifier		M an..3	The following codes are available: <b>EM E-Mail</b> <b>FX Facsimile</b> <b>TE Telephone</b>

**Description:** A segment for the indication of the communication number and -type of the person responsible or department referred to in the CTA segment.

**Example:** COM+joe\_sample@e\_mail.de:EM'



# Segment descriptions

Number	No	Segment	St	Max rep.	Level	Name
0240		<b>SG6</b>	C	1	2	<b>CTA-COM</b>
This segment group contains the CTA segment for the indication of the contact person and the COM segment for the indication of the communication link.						
0250	28	<b>CTA</b>	M	1	2	<b>Communication partner</b>

Tag	Name	St	Format	Use/annotations
CTA				
3139		N		Not used in the subset.
C056	DEPARTMENT OR EMPLOYEE DETAILS	M		
3413		N		Not used in the subset.
3412	Department or person responsible	M	an..35	Name of the person responsible for the transaction

**Description:** In the CTA segment, the name of the person responsible for the transaction at hand, both at the sender's and the recipient's, can be transferred.

**Example:** CTA++:Joe Sample'

# Segment descriptions

Number	No	Segment	St	Max rep.	Level	Name
0240		<b>SG6</b>	C	1	2	<b>CTA-COM</b>
This segment group contains the CTA segment for the indication of the contact person and the COM segment for the indication of the communication link.						
0260	29	<b>COM</b>	C	3	3	<b>Communication link</b>

Tag	Name	St	Format	Use/annotations
COM				
C076	COMMUNICATION LINK		M	
3148	Communication number		M an..512	
3155	Communication channel/service, qualifier		M an..3	The following codes are available: <b>EM E-Mail</b> <b>FX Facsimile</b> <b>TE Telephone</b>

**Description:** A segment for the indication of the communication number and -type of the person responsible or department referred to in the CTA segment.

**Example:** COM+joe\_sample@e\_mail.de:EM'

# Segment descriptions

Number	No	Segment	St	Max rep.	Level	Name
0310		<b>SG8</b>	C	1	1	<b>CUX</b>
This segment contains the CUX segment und serves to transfer a reference currency for the entire Order Response.						
0320	30	<b>CUX</b>	M	1	1	<b>Currency data</b>

Tag	Name	St Format	Use/annotations
CUX			
C504	CURRENCY DATA	M	
6347	Currency data, qualifier	M an..3	Constant value: <b>2 Reference currency</b>
6345	Currency, coded	M an..3	The most important currency codes according to ISO 4217: <b>DKK Danish kroner (crowns)</b> <b>EUR Euros</b> <b>GBP British pounds</b> <b>CAD Canadian dollars</b> <b>NOK Norwegian kroner (crowns)</b> <b>PLN Polish zloty</b> <b>SEK Swedish krona (crowns)</b> <b>CHF Swiss francs</b> <b>USD US dollars</b>

**Description:** In the CUX segment, data referring to currency units required for international transactions are transferred.

**Example:** CUX+2:EUR'

# Segment descriptions

Number	No	Segment	St	Max rep.	Level	Name
0720		<b>SG19</b>	C	2	1	<b>ALC-SG21-SG22</b>
This segment group encompasses the ALC segment and segment groups 21 and 22. It serves to transfer allowances and charges for all order items.						
0730	31	<b>ALC</b>	M	1	1	<b>Allowances and charges</b>

Tag	Name	St Format	Use/annotations
ALC			
5463	ALLOWANCES AND CHARGES, QUALIFIER	M an..3	The following codes are available: <b>A allowance</b> <b>C charge</b>
C552		N	
1230		N	Not used in the subset.
4471		N	Not used in the subset.
1227		N	Not used in the subset.
C214	SPECIAL SERVICES	M	
7161	Special services, coded	M an..3	The following codes are available: <b>FI monetary value per order</b> <b>RAA discount rate for information</b>

**Description:** In the ALC segment, allowances and charges for all order items are transferred.

**Example:** ALC+A++++FI'

# Segment descriptions

Number	No	Segment	St	Max rep.	Level	Name
0790		<b>SG21</b>	C	1	2	<b>PCD</b>
This segment group contains the PCD segment and serves the transfer of allowance and charge percentages.						
0800	32	<b>PCD</b>	M	1	2	<b>Percentages</b>

Tag	Name	St	Format	Use/annotations
PCD				
C501	PERCENTAGES	M		
5245	Percentages, qualifier	M	an..3	Constant value: <b>3 percentage rate</b>
5482	Percentage	M	n..10	Indication of percentage with two decimal places

**Description:** In the PCD segment, the percentage rate for allowances and charges is transferred.

**Example:** PCD+3:9'

# Segment descriptions

Number	No	Segment	St	Max rep.	Level	Name
0820		<b>SG22</b>	C	1	2	<b>MOA</b>
This segment group contains the MOA segment and serves the transfer of allowances and charges as a fixed amount.						
0830	33	<b>MOA</b>	M	1	2	<b>Amount</b>

Tag	Name	St Format	Use/annotations
MOA			
C516	AMOUNT	M	
5025	Amount, qualifier	M an..3	Constant value: <b>8 Amount</b>
5004	Amount	M n..18	Allowance or charge with two decimal places max.

**Description:** In the MOA segment, an allowance or charge is transferred as an amount.

**Example:** MOA+8 : 9 '

# Segment descriptions

Number	No	Segment	St	Max rep.	Level	Name
0960		<b>SG26</b>	C	9999	1	<b>LIN-IMD-QTY-DTM-SG30-SG31-SG41-SG51</b>
This segment group encompasses the segments LIN, IMD, OTY, and DTM as well as segment groups 30, 31, 41, 43, 44, 51 and 52. It serves the transfer of the line item data.						
0970	34	<b>LIN</b>	M	1	1	<b>Line item data</b>

Tag	Name	St	Format	Use/annotations
LIN				
1082	LINE ITEM NUMBER	M	n..6	Unambiguous line item number from the order response
1229	TYPE OF TRANSACTION	C	an..3	The following codes are available: <b>7 wrong article number (cannot be processed by the supplier)</b> <b>3 article number changed (the changed article number is transferred in data element 7140)</b> <b>10 article no longer available</b> <b>6 quantity of ordered article changed</b> <b>23 partial delivery (partial deliveries are indicated in segment group 51)</b> <b>ZZZ delivery date unconfirmed</b>
C212	PRODUCT IDENTIFICATION	M		
7140	Goods/service number	M	an..35	
7143	Goods/service number type, coded	M	an..3	The following codes are available: <b>MF article number assigned by supplier</b> <b>EN GTIN</b>

**Description:** In the LIN segment, an invoice line item is identified by a consecutive line item number and also by an article number. A reference to the order item number is made in the RFF segment.

**Implementation note:** In order to avoid constant corrections of individual article numbers, a master data matchup before commencing the electronic data exchange is recommended.

**Example:** LIN+12345+6+4711:MF'

# Segment descriptions

Number	No	Segment	St	Max rep.	Level	Name
0960		<b>SG26</b>	C	9999	1	<b>LIN-IMD-QTY-DTM-SG30-SG31-SG41-SG51</b>
This segment group encompasses the segments LIN, IMD, OTY, and DTM as well as segment groups 30, 31, 41, 43, 44, 51 and 52. It serves the transfer of the line item data.						
0990	35	<b>IMD</b>	C	2	2	<b>Article specification</b>

Tag	Name	St	Format	Use/annotations
IMD				
7077		N		Not used in the subset.
7081		N		Not used in the subset.
C273	LINE ITEM DESCRIPTION	M		
7009	Line item description	M	an..17	<b>SP Article specification</b>
1131		N		Not used in the subset.
3055		N		Not used in the subset.
7008	Line item description	M	an..35	Characters 1-35.
7008	Line item description	C	an..5	Characters 36-40.

**Description:** This segment is used in the absence of an article number, or if there is no unambiguous number. For item specification, 2\*40 characters of item text are available by repeating the IMD segment twice.

**Example:** IMD+++SP::free text free text free text free :text '

# Segment descriptions

Number	No	Segment	St	Max rep.	Level	Name
0960		<b>SG26</b>	C	9999	1	<b>LIN-IMD-QTY-DTM-SG30-SG31-SG41-SG51</b>
This segment group encompasses the segments LIN, IMD, OTY, and DTM as well as segment groups 30, 31, 41, 43, 44, 51 and 52. It serves the transfer of the line item data.						
0990	36	<b>IMD</b>	C	8	2	<b>Additional text referring to the line item</b>

Tag	Name	St	Format	Use/annotations
IMD				
7077		N		Not used in the subset.
7081		N		Not used in the subset.
C273	LINE ITEM DESCRIPTION	M		
7009	Line item description	M	an..17	<b>ZU Additional text referring to the line item</b>
1131		N		Not used in the subset.
3055		N		Not used in the subset.
7008	Line item description	M	an..35	Characters 1-35.
7008	Line item description	C	an..5	Characters 36-40.

**Description:** This segment is used if in addition to the article number and possibly an item text a verbal description of the item is required. In this case the IMD segment can be repeated up to eight times, with 40 characters each (i.e. a total of 320 characters). If possible, this segment should not be used as it requires manual processing of the message.

**Example:** `IMD+++ZU:: free text free text free text free :text '`

# Segment descriptions

Number	No	Segment	St	Max rep.	Level	Name
0960		<b>SG26</b>	C	9999	1	<b>LIN-IMD-QTY-DTM-SG30-SG31-SG41-SG51</b>
This segment group encompasses the segments LIN, IMD, OTY, and DTM as well as segment groups 30, 31, 41, 43, 44, 51 and 52. It serves the transfer of the line item data.						
1010	37	<b>QTY</b>	C	1	2	<b>Quantity</b>

Tag	Name	St Format	Use/annotations
QTY			
C186	QUANTITY	M	
6063	Quantity, qualifier	M an..3	Constant value: <b>12 Quantity (here: confirmed quantity)</b>
6060	Quantity	M n..15	Quantity with three decimal places max.
6411	Measurement unit, qualifier	M an..3	The following codes are available: <b>CMK square centimetre</b> <b>CMQ cubic centimetre</b> <b>CMT centimetre</b> <b>DZN dozen</b> <b>GRM gram</b> <b>HLT hectolitre</b> <b>HUR hour</b> <b>KGM kilogramme</b> <b>KTM kilometre</b> <b>LTR litre</b> <b>MIN minute</b> <b>MMT millimetre</b> <b>MTK square metre</b> <b>MTQ cubic metre</b> <b>MTR metre</b> <b>PAK pack</b> <b>PCE piece</b> <b>PR pair</b> <b>RO number of rolls</b> <b>SET set</b> <b>TNE metric ton</b> <b>UI unit of work</b>

**Description:** In the QTY segment, the confirmed quantity is transferred. Please note: If partial deliveries are required, at this point the total quantity will be confirmed. If the confirmation is a modification of another confirmation already given, the modified quantity will be confirmed. The partial delivery is defined in segment group 51.

**Implementation note:** The measurement units used in the systems of industry and wholesalers should be the same. To make sure that this is the case, a master data matchup before commencing the electronic data exchange is recommended.

**Example:** QTY+12:9:PCE'

# Segment descriptions

Number	No	Segment	St	Max rep.	Level	Name
0960		<b>SG26</b>	C	9999	1	<b>LIN-IMD-QTY-DTM-SG30-SG31-SG41-SG51</b>
This segment group encompasses the segments LIN, IMD, OTY, and DTM as well as segment groups 30, 31, 41, 43, 44, 51 and 52. It serves the transfer of the line item data.						
1040	38	<b>DTM</b>	C	3	2	<b>Date/time/period data</b>

Tag	Name	St	Format	Use/annotations
DTM				
C507	DATE/TIME/PERIOD DATA	M		
2005	Date/time/period data	M	an..3	The following codes are available: <b>2 delivery date</b> <b>133 despatch date (date of goods issue at the supplier's)</b> <b>17 fixed delivery date</b> <b>999 delivery date cannot be given yet</b> <b>63 delivery date/time, at the latest</b> <b>64 delivery date/time, at the earliest</b>
2380	Date/time/period data	M	an..35	Date, formatted as defined in data element 2379.
2379	Date/time/period data, Format, Qualifier	M	an..3	The following codes are available: <b>102 YYYYMMDD</b> <b>616 YYYYWW (delivery week)</b> <b>203 YYYYMMDDHHMM (year-month-day-hour-minute)</b> With partial deliveries (cf. LIN) no delivery date is transferred in the DTM at line item level. Delivery dates are defined in segment group 51.

**Description:** In the DTM segment, for individual line items delivery date specifications can be given that differ from those in the header. The aim is to indicate one delivery arrival date on a daily basis.

**Example:** DTM+2:20141015:102'

# Segment descriptions

Number	No	Segment	St	Max rep.	Level	Name
1240		<b>SG30</b>	C	2	2	<b>PRI</b>
This segment group contains the PRI segment and serves for the transfer of line item prices.						
1250	39	<b>PRI</b>	M	1	2	<b>Price information</b>

Tag	Name	St	Format	Use/annotations
PRI				
C509	PRICE INFORMATION	M		
5125	Price, qualifier	M	an..3	The following codes are available: <b>GRP gross price</b> <b>NTP net price</b>
5118	Price	M	n..15	Price of the item, with two decimal places
5375		N		Not used in the subset.
5387		N		Not used in the subset.
5284	Price basis per unit	M	n..9	The quantity that the previously stated price and the measurement unit stated in data element 6411 refer to. If, for instance, the price refers to one piece, this data element has to state a "1", and data element 6411 has to state the Code "PCE" for "piece". Analogous to the master data, the following values are possible for the price basis: "1" = 1 unit "10" = 10 units "100" = 100 units "1000" = 1000 units
6411	Measurement unit, qualifier	C	an..3	This data element should only be used if the indication of price refers to another measurement unit than the indication of quantity in the order. The following codes are available: <b>CMK square centimetre</b> <b>CMQ cubic centimetre</b> <b>CMT centimetre</b> <b>DZN dozen</b> <b>GRM gram</b> <b>HLT hectolitre</b> <b>HUR hour</b> <b>KGM kilogramme</b> <b>KTM kilometre</b> <b>LTR litre</b> <b>MIN minute</b> <b>MMT millimetre</b> <b>MTK square metre</b> <b>MTQ cubic metre</b> <b>MTR metre</b> <b>PAK pack</b> <b>PCE piece</b> <b>PR pair</b> <b>RO number of rolls</b> <b>SET set</b> <b>TNE metric ton</b> <b>UI unit of work</b>

**Description:** In the PRI segment, either the gross price or the net price is transferred. One of the two prices has to be transferred.

**Implementation note:** If the price refers to a different measurement unit, e.g. one piece, "PCE" for "piece" has to be transferred in this code.

**Example:** PRI+GRP:9:::9:CMK'

# Segment descriptions

Number	No	Segment	St	Max rep.	Level	Name
1300		<b>SG31</b>	M	1	2	<b>Wholesaler's order number</b>
This segment group contains the RFF segment for referencing the line item to line items in preceding documents.						
1310	40	<b>RFF</b>	M	1	2	<b>Reference data</b>

Tag	Name	St	Format	Use/annotations
RFF				
C506	REFERENCE DATA	M		
1153	Reference, qualifier	M	an..3	The following codes are available: <b>ON Wholesaler's order number</b>
1154	Reference number	M	an..35	Reference number referring to the qualifier selected in data element 1153
1156	Line item number	C	an..6	Number of the line item in the referenced document

**Description:** In the RFF segment, numbers regarding documents that the order response line item refers to are transferred.

**Example:** RFF+ON:1:1'

# Segment descriptions

Number	No	Segment	St	Max rep.	Level	Name
1660		<b>SG41</b>	C	1	2	<b>Multiplier</b>
This segment group contains the ALC segment and the segments groups 43 and 44. It serves to transfer allowances and charges for order line items.						
1670	41	<b>ALC</b>	M	1	2	<b>Allowances and charges</b>

Tag	Name	St Format	Use/annotations
ALC			
5463	ALLOWANCES AND CHARGES, QUALIFIER	M an..3	The following codes are available: <b>A allowance</b> <b>C charge</b>
C552		N	
1230		N	Not used in the subset.
4471		N	Not used in the subset.
1227		N	Not used in the subset.
C214	SPECIAL SERVICES	M	
7161	Special services, coded	M an..3	The following codes are available: <b>SF multiplier</b>
1131		N	Not used in the subset.
3055		N	Not used in the subset.
7160	Special condition	C an..35	

**Description:** In the ALC segment, allowances and charges for individual line items are transferred. If a multiplier is indicated, it is a net multiplier that already encompasses all allowances and charges for this line item. The multiplier has to be transferred.

**Implementation note:** Discount rates are for information only, all allowances and charges have to be transferred in the multiplier. The multiplier is for automatic invoice verification; the individual conditions are for information and for manual enquiries in case of deviations found during automatic invoice verification.

**Example:** ALC+A++++SF:::Special condition'

# Segment descriptions

Number	No	Segment	St	Max rep.	Level	Name
1730		<b>SG43</b>	C	1	3	<b>PCD</b>
This segment group contains the PCD segment and serves the transfer of the net multiplier.						
1740	42	<b>PCD</b>	M	1	3	<b>Percentages</b>

Tag	Name	St Format	Use/annotations
PCD			
C501	PERCENTAGE DATA	M	
5245	Percentages, qualifier	M an..3	Constant value: <b>1 Multiplier</b>
5482	Percentage rate	M n..10	The multiplier is transferred with up to eight decimal places max.

**Description:** In the PCD segment, a multiplier for the line item is transferred.

**Example:** PCD+1:9'

# Segment descriptions

Number	No	Segment	St	Max rep.	Level	Name
1660		<b>SG41</b>	C	98	2	<b>Bilateral agreement</b>
This segment group encompasses the ALC segment as well as segment groups 43 and 44. It serves the transfer of allowances and charges regarding order line items.						
1670	43	<b>ALC</b>	M	1	2	<b>Allowances and charges</b>

Tag	Name	St Format	Use/annotations
ALC			
5463	ALLOWANCES AND CHARGES, QUALIFIER	M an..3	The following codes are available: <b>A allowance</b> <b>C charge</b>
C552		N	
1230		N	Not used in the subset.
4471		N	Not used in the subset.
1227		N	Not used in the subset.
C214	SPECIAL SERVICES	M	
7161	Special services, coded	M an..3	Only the qualifiers from the EANCOM list should be used. The following qualifiers are, among others, available: <b>ZZZ Bilaterally agreed upon (description of the condition to follow in data element 7160)</b>
1131		N	Not used in the subset.
3055		N	Not used in the subset.
7160	Special condition	C an..35	The condition specification has to be transferred here.

**Description:** The ALC segment serves to indicate allowances and charges for single line items.

**Implementation note:** Only use code "ZZZ" if it has actually been agreed upon bilaterally. If possible, avoid "ZZZ" altogether.

**Example:** ALC+A++++ZZZ:::condition specification'

# Segment descriptions

Number	No	Segment	St	Max rep.	Level	Name
1730		<b>SG43</b>	C	1	3	<b>PCD</b>
This segment group contains the PCD segment and serves the transfer of allowance and charge percentages.						
1740	44	<b>PCD</b>	M	1	3	<b>Percentages</b>

Tag	Name	St Format	Use/annotations
PCD			
C501	PERCENTAGE DATA	M	
5245	Percentages, qualifier	M an..3	Constant value: <b>3 percentage rate</b>
5482	Percentage rate	M n..10	The percentage rate is transferred with two decimal places max.

**Description:** In the PCD segment, a percentage rate for the invoice line item is transferred. Percentage rates for discount data are for information only.

**Example:** PCD+3:9'

# Segment descriptions

Number	No	Segment	St	Max rep.	Level	Name
1760		<b>SG44</b>	C	1	3	<b>MOA</b>
This segment group contains the MOA segment and serves the transfer of allowances and charges as a fixed amount.						
1770	45	<b>MOA</b>	M	1	3	<b>Amount</b>

Tag	Name	St Format	Use/annotations
MOA			
C516	AMOUNT	M	
5025	Amount, qualifier	M an..3	Constant value: <b>8 amount</b>
5004	Amount	M n..18	Allowance or charge with with two decimal places max.

- Description:** In the MOA segment, an allowance or charge is transferred as an amount.
- Implementation note:** As the multiplier is limited to four decimal places, the MOA segment with the full amount of allowances/charges should always be transferred in order to avoid rounding-off differences.
- Example:** MOA+8 : 9'

# Segment descriptions

---

Number	No	Segment	St	Max rep.	Level	Name
1980		<b>SG51</b>	C	1	2	<b>SCC-SG52</b>
This segment group contains information regarding partial deliveries of the line item if full delivery is not possible.						
1990	46	<b>SCC</b>	M	1	2	<b>Schedule conditions</b>

Tag	Name	St Format	Use/annotations
SCC			
4017	DELIVERY SCHEDULE STATUS INDICATOR, CODED	M an..3	Constant value: <b>22 delivery according to schedule</b>

**Description:** In the SCC segment, the conditions for scheduling, namely of the partial deliveries, are defined.

**Example:** SCC+22'

# Segment descriptions

Number	No	Segment	St	Max rep.	Level	Name
2020		<b>SG52</b>	M	10	3	<b>QTY-DTM</b>
This segment group contains information regarding quantities and delivery dates for the partial deliveries of the line item. Up to 10 partial deliveries can be indicated. The sum of all partial deliveries has to match the confirmed quantity in the QTY of segment group 26.						
2030	47	<b>QTY</b>	M	1	3	<b>Quantity</b>

Tag	Name	St Format	Use/annotations
QTY			
C186	QUANTITY	M	
6063	Quantity, qualifier	M an..3	Constant value: <b>11 Partial quantity of the quantity confirmed</b>
6060	Quantity	M n..15	Quantity of the item, with three decimal places max.
6411	Measurement unit, qualifier	M an..3	The following codes are available: <b>CMK square centimetre</b> <b>CMQ cubic centimetre</b> <b>CMT centimetre</b> <b>DZN dozen</b> <b>GRM gram</b> <b>HLT hectolitre</b> <b>HUR hour</b> <b>KGM kilogramme</b> <b>KTM kilometre</b> <b>LTR litre</b> <b>MIN minute</b> <b>MMT millimetre</b> <b>MTK square metre</b> <b>MTQ cubic metre</b> <b>MTR metre</b> <b>PAK pack</b> <b>PCE piece</b> <b>PR pair</b> <b>RO number of rolls</b> <b>SET set</b> <b>TNE metric ton</b> <b>UI unit of work</b>

**Description:** In the QTY segment the quantity of the partial delivery is transferred.

**Example:** QTY+11:9:CMK'

# Segment descriptions

Number	No	Segment	St	Max rep.	Level	Name
2020		<b>SG52</b>	M	10	3	<b>QTY-DTM</b>
This segment group contains information regarding quantities and delivery dates for the partial deliveries of the line item. Up to 10 partial deliveries can be indicated. The sum of all partial deliveries has to match the confirmed quantity in the QTY of segment group 26.						
2040	48	<b>DTM</b>	M	1	4	<b>Date/time/period data</b>

Tag	Name	St	Format	Use/annotations
DTM				
C507	DATE/TIME/PERIOD DATA	M		
2005	Date/time/period data	M	an..3	Constant value: <b>2 delivery date (date of goods arrival at the customer's)</b> <b>133 despatch date (date of goods issue at the supplier's)</b>
2380	Date/time/period data	M	an..35	Date, formatted as defined in data element 2379
2379	Date/time/period data, format, qualifier	M	an..3	The following codes are available: <b>102 YYYYMMDD</b> <b>616 YYYYWW (delivery week)</b>

**Description:** In the DTM segment, delivery date specifications for partial deliveries can be given that differ from those in the header. The aim is to indicate one delivery arrival date on a daily basis

**Example:** DTM+2:20141015:102'

# Segment descriptions

---

Number	No	Segment	St	Max rep.	Level	Name
2150	49	<b>UNS</b>	M	1	0	Section control segment

Tag	Name	St Format	Use/annotations
UNS			
0081	SECTION IDENTIFIER, CODED	M a1	Constant value: <b>S Separation of line item- and sum section</b>

**Description:** The UNS segment is a service segment and marks the separation of line item- and sum section.

**Example:** UNS+S'

# Segment descriptions

Number	No	Segment	St	Max rep.	Level	Name
2220	50	<b>UNT</b>	M	1	0	Message end segment

Tag	Name	St	Format	Use/annotations
UNT				
0074	NUMBER OF SEGMENTS IN ONE MESSAGE	M	n..6	Number of segments transferred in this message, incl. segments UNH and UNT.
0062	MESSAGE REFERENCE NUMBER	M	an..14	The same reference number as in UNH / 0062 has to be entered here. Upon receipt of message, this number will be compared with the entry in the segment UNH.

**Description:** In the UNT segment, the number of segments and a message reference number are transferred for a plausibility check.

**Example:** UNT+48+1'

# Segment descriptions

Number	No	Segment	St	Max rep.	Level	Name
0000	51	<b>UNZ</b>	M	1	0	User data end segment

Tag	Name	St	Format	Use/annotations
UNZ				
0036	DATA EXCHANGE COUNTER	M	n..6	Here the number of messages within the user data frame UNB...UNZ is entered.
0020	DATA EXCHANGE REFERENCE	M	an..14	Here the same reference number as in UNB / 0020 has to be entered. Upon receipt of the user data frame, this number is compared to the entry in the segment UNB.

**Description:** In the UNZ segment, a data exchange counter and a data exchange reference can be transferred.

**Example:** UNZ+1+1'

# Comprehensive example

---

UNA:+,? '  
 UNB+UNOC:3+4312345678902:14+4309876543212:14+151231:1623+A5000000000025'  
 UNH+1+ORDRSP:D:96B:UN:ITEK40'  
 BGM+231+AB 20150000999'  
 DTM+137:20151231:102'  
 IMD+++VL'  
 FTX+ORI+++Free text field for additional text re order response line 1:Free text field for additional text re order response line 2:Free text field for additional text re order response line 3:Free text field for additional text re order response line 4:Free text field for additional text re order response line 5'  
 FTX+DIN+++Free text field for notification text for the forwarder line 1:Free text field for notification text for the forwarder line 2:Free text field for notification text for the forwarder line 3:Free text field for notification text for the forwarder line 4:Free text field for notification text for the forwarder line 5'  
 RFF+ACE:AB 20150000999'  
 DTM+171:20151230:102'  
 RFF+AEP:BAU A2-2015'  
 DTM+171:20151015:102'  
 RFF+AFO:Expansion A2 EAST-WEST'  
 RFF+ON:B2015-L00999'  
 DTM+171:20151229:102'  
 NAD+SU+4312345678902::9++Name of partner line 1:Name of partner line 2:Name of partner line 3+Any Street 12+Any City++12345+DE'  
 RFF+XA:DE 123456'  
 CTA++:Contact person '  
 COM+Email\_address@mail.de:EM'  
 COM+?+49 (0)123/ 456789 - 110:FX'  
 COM+?+49 (0)123/ 456789 - 111:TE'  
 NAD+WS+4309876543212::9++Name of partner line 1:Name of partner line 2:Name of partner line 3+Any Street 12+Any City++12345+DE'  
 CTA++:Contact person '  
 COM+Email\_address@mail.de:EM'  
 COM+?+49 (0)123/ 456789 - 112:FX'  
 COM+?+49 (0)123/ 456789 - 113:TE'  
 NAD+ST+++Name of delivery address line 1:Name of delivery address line 2:Name of delivery address line 3+Any Street 12+Any City++12345+DE'  
 CTA++:Contact person '  
 COM+Email\_address@mail.de:EM'  
 COM+?+49 (0)123/ 456789 - 114:FX'  
 COM+?+49 (0)123/ 456789 - 115:TE'  
 NAD+DP+4012345000009::9++Name of consignee line 1:Name of consignee line 2:Name of consignee line 3+Any Street 12+Any City++12345+DE'  
 CTA++:Contact person '  
 COM+Email\_address@mail.de:EM'  
 COM+?+49 (0)123/ 456789 - 116:FX'  
 COM+?+49 (0)123/ 456789 - 117:TE'  
 CUX+2:EUR'  
 ALC+A++++RAA'  
 PCD+3:10,00'  
 ALC+C++++FI'  
 MOA+8:7,50'  
 LIN+1++80001:MF'  
 IMD+++SP:::Asphalt black without additives typ:e?: D'  
 IMD+++SP:::IN 0815'

## Comprehensive example

---

IMD+++ZU:::Asphalt to be delivered at a temperature'  
IMD+++ZU::: of 65 degrees centigrade minimum.'  
QTY+12:12:MTQ'  
DTM+17:20150107:102'  
DTM+63:201501070700:203'  
PRI+GRP:100,00:::1:MTQ'  
RFF+ON:B2015-L00999:10'  
ALC+A++++SF'  
PCD+1:0,90000000'  
ALC+A++++ZZZ:::Condition specification'  
PCD+3:10,00'  
MOA+8:10,00'  
LIN+2+23+80002:MF'  
IMD+++SP:::Tar black, MAXI-SPEED Type? DIN2015:/0'  
IMD+++SP:::818'  
QTY+12:1500:KGM'  
PRI+GRP:10,00:::1:KGM'  
RFF+ON:B2015-L00999:20'  
ALC+A++++SF'  
PCD+1:0,90000000'  
ALC+A++++ZZZ:::Condition specification'  
PCD+3:10,00'  
MOA+8:1,00'  
SCC+22'  
QTY+11:500:KGM'  
DTM+2:20150110:102'  
LIN+3+10+80003:MF'  
IMD+++SP:::Colour lane marking white w/ reflection'  
QTY+12:0:LTR'  
PRI+GRP:1,00:::1:LTR'  
RFF+ON:B2015-L00999:30'  
ALC+A++++SF'  
PCD+1:0,90000000'  
ALC+A++++ZZZ:::Condition specification'  
PCD+3:10,00'  
MOA+8:0,10'  
UNS+S'  
UNT+80+1'  
UNZ+1+A50000000000025'